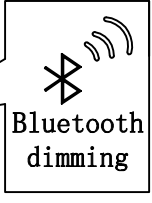
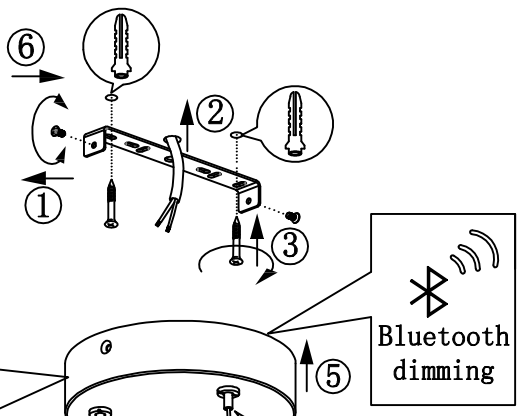
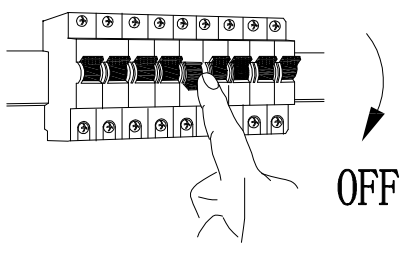
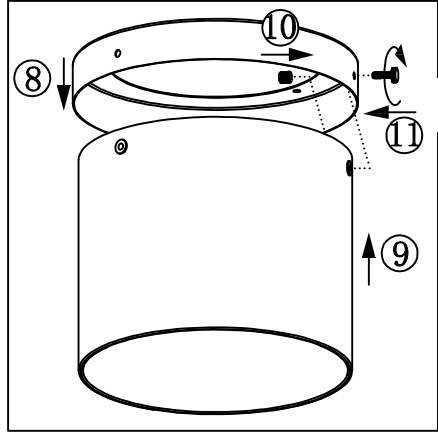
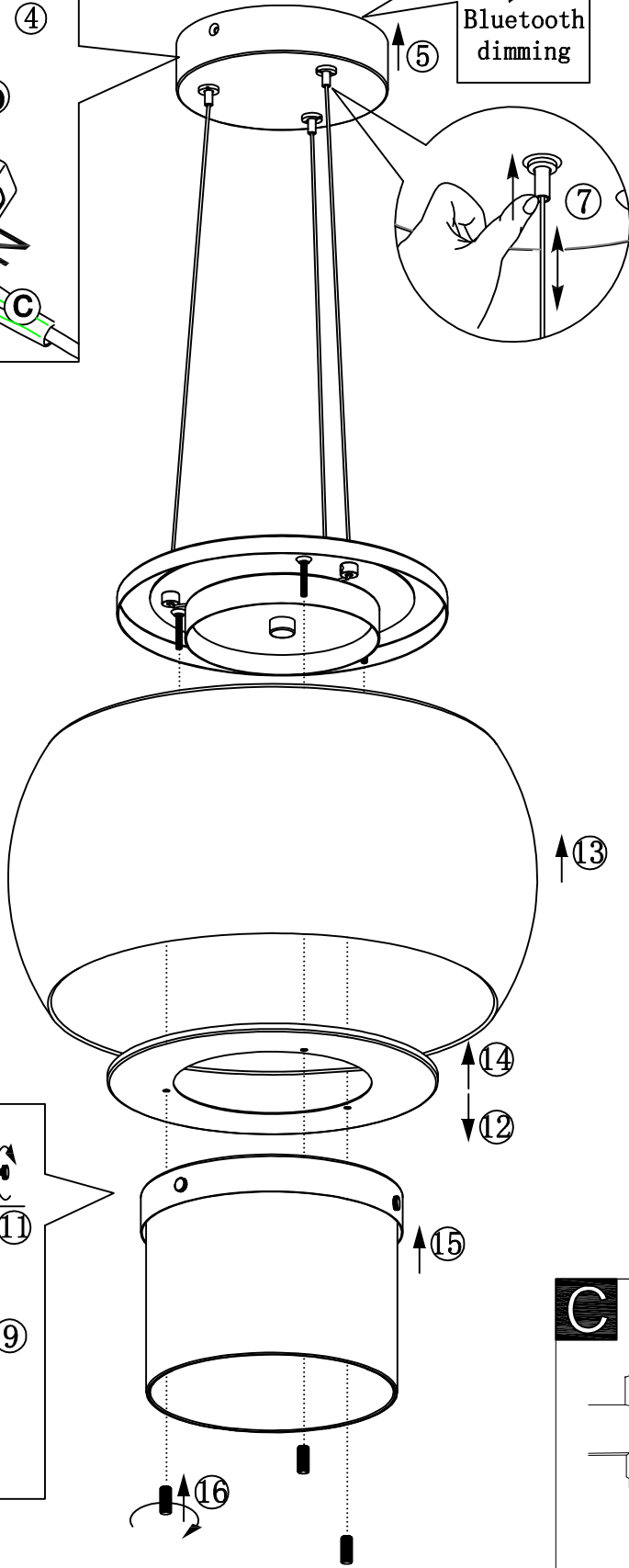
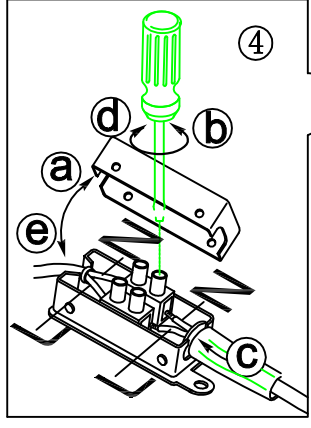


**A****B**

BLA99023  
www.eglo.com

**C**